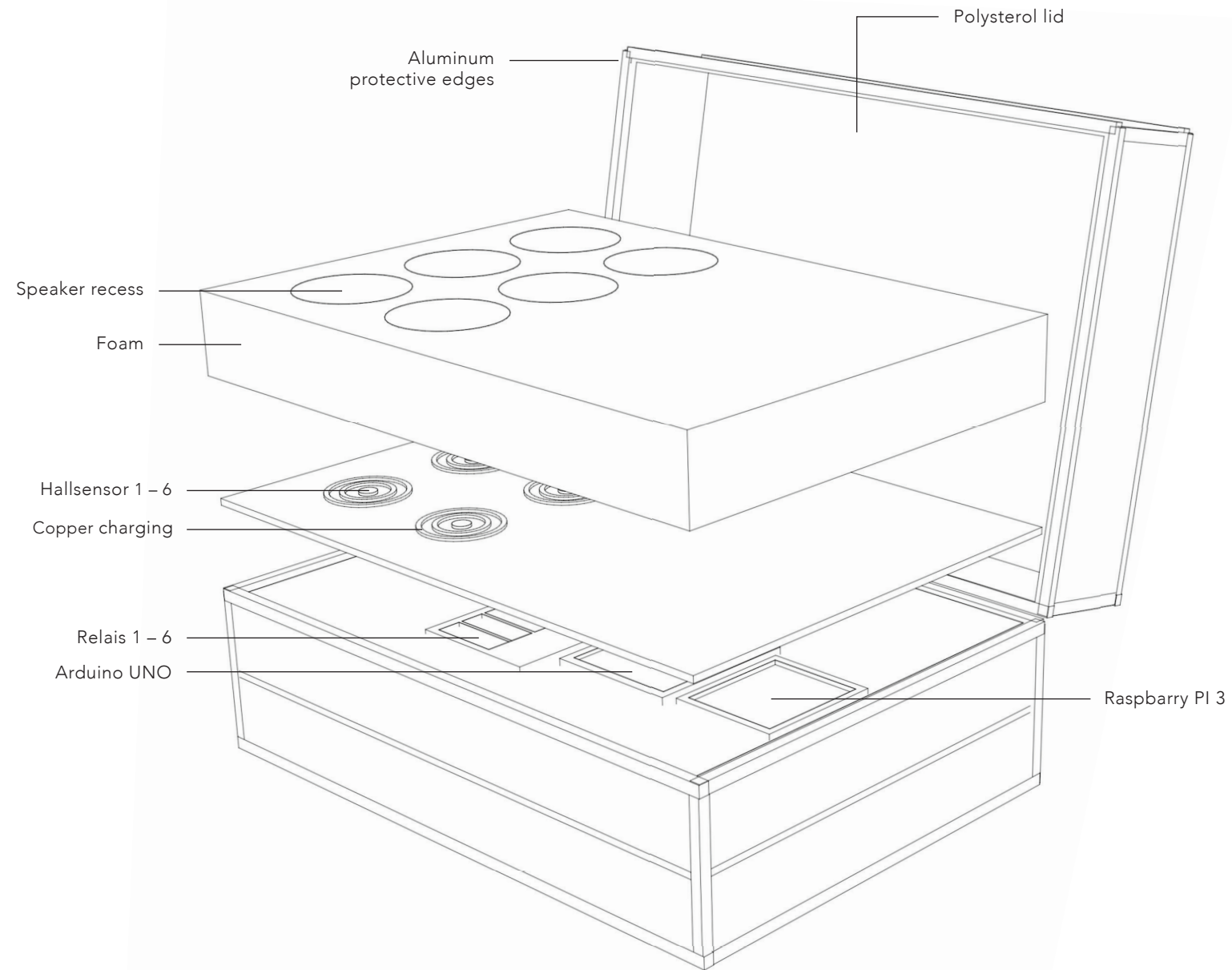


## | THE SPEAKER

The speaker has a well-conceived construction and is endowed with the ideal technology. Charging can be achieved by putting the speaker into the box or via USB. The included technical components can transmit the voice and visualize the behaviour of the remote participant in another room.

## 02 | BOX

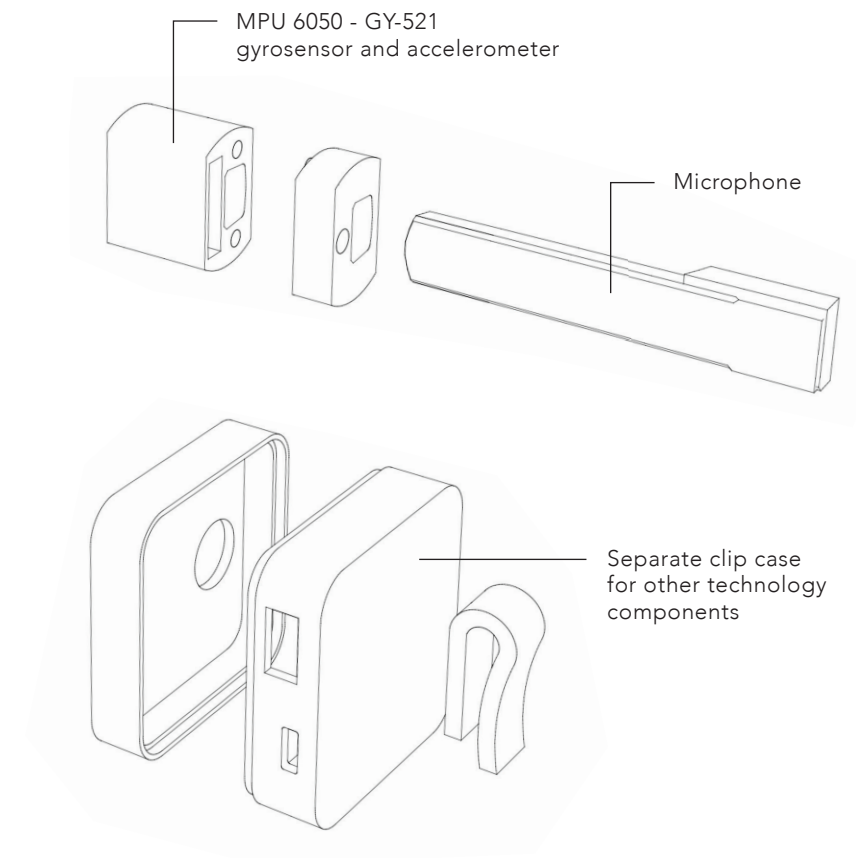


### | THE BOX

The box offers easy transport of the speakers and flexible usage in every room. The additionally integrated charging mechanism facilitates easy charging of the devices. The transparent top of the box helps the conference participants to identify the needed speakers or see their charging status.



## 03 | MICROPHONE



### | THE MICROPHONE

The additional microphones achieve a perfect sound quality and include sensors to detect the users head and body movement. The measured values automatically get transmitted to the corresponding speaker at the other meeting location. There these values get translated into movement and light.